



Technical Data

Specification & Capacities

SPX532



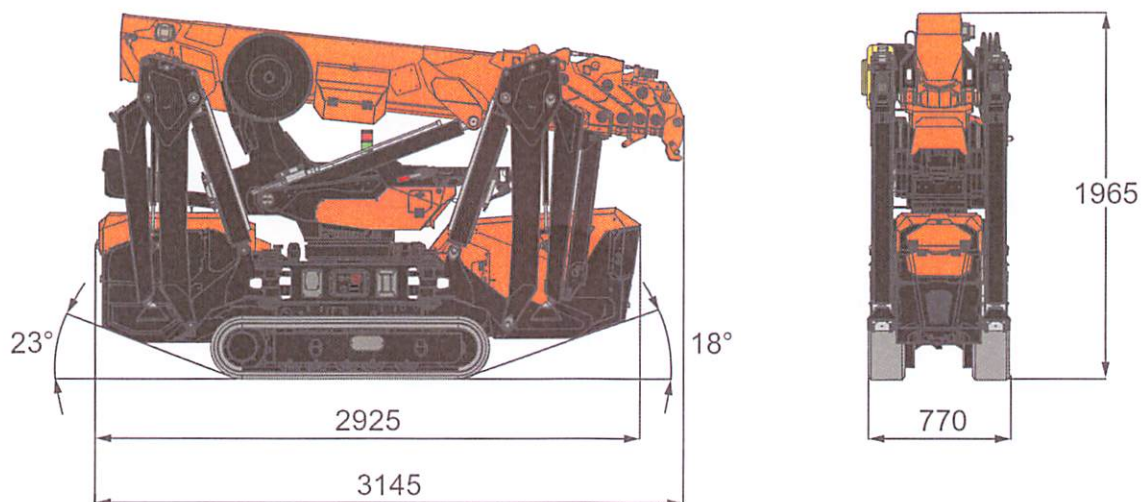
EN 13000:2014

06.03.2024 | Rev0.11

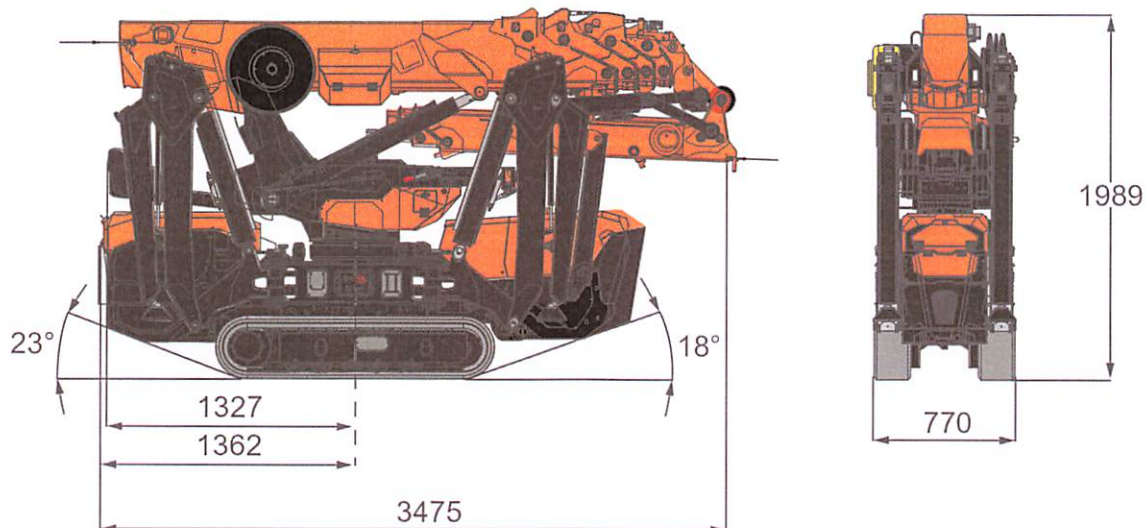
[m] [kg]

OVERALL DIMENSIONS

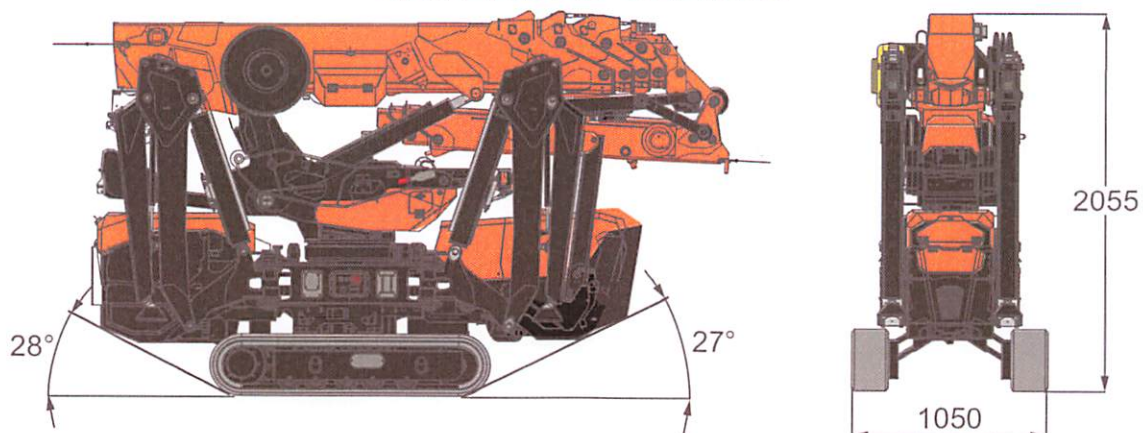
SPX532CL/CL2 NO JIB



JIB MOUNTED



EXTENDED TRACKS



[mm]

JEKKO 532 CL

